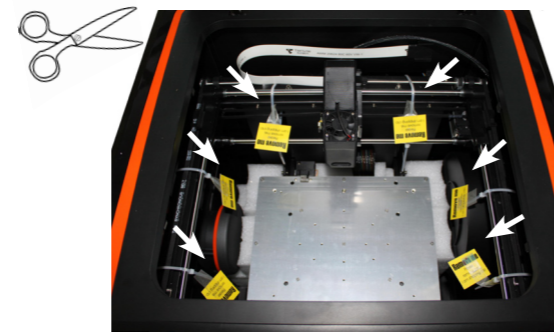


1 Remove UP BOX from packaging

- Open the top lid, then with two people lift the printer out of the cardboard box.
- Remove 3 x foam padding

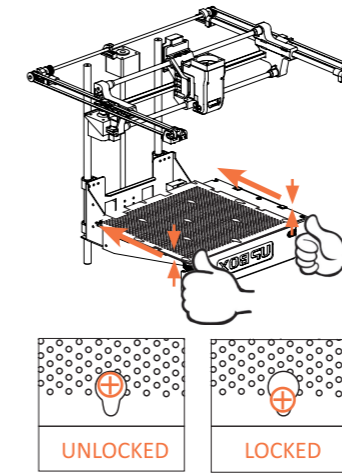


2 Cut and remove cable ties



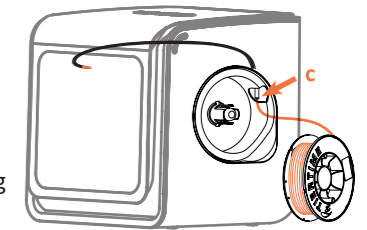
3 Install Perfboard

- Using both hands lock in place the perfboard.
- Ensure all screw heads are locked in place correctly.
- Ensure aluminium bed and both sides of perfboard are clean and free from debris before locking perfboard in place.



4 Install Filament Spool

- Remove spool wrapping
- Don't let the end of filament go, otherwise it could become tangled
- Feed end of filament into feeder tube
- Load spool onto holder
- Cut the end of the filament flat before feeding



5 Install UP software

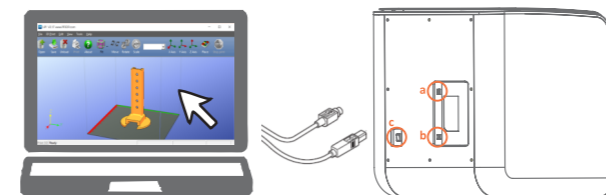
Download the latest UP software, User Manual and UPdates from

www.3DPrintingSystems.com/support



6 Connect

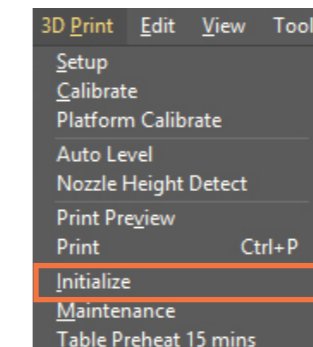
- Connect power
- Connect USB
- Turn on printer
- Printer drivers will be automatically installed



7 Initialise

- Open UP software
- Click **3D Print** and **Initialise**
- Printer will zero in all three axis

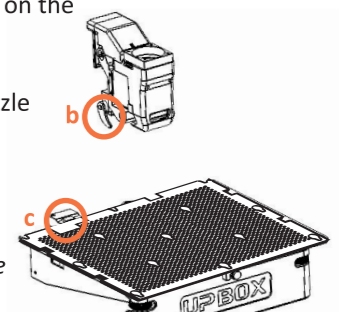
Note: Initialise only needs to be done when you switch on the printer.



8 Auto calibration

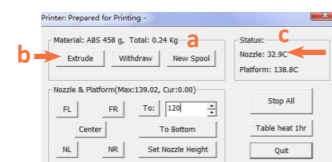
- Click **3D Print** and **Auto Level**
- The auto levelling arm will swing down and measure 9 points on the perfboard.
- Once complete then the nozzle height will be measured

Note: Auto level & auto height don't need to be done for every print, just when you have any trouble.



9 Heat up print head

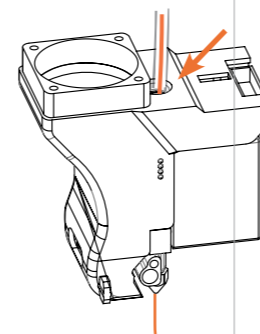
- Click **New Spool**, click **Okay**
- Click **3D Print**, **Maintenance** then **Extrude**
- Wait for the Nozzle to reach 260c



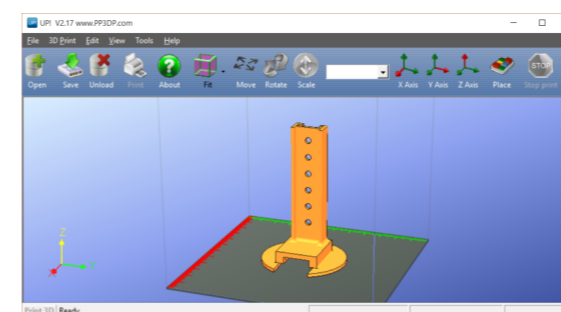
10 Load filament into print head

- Once nozzle reaches 260c, printer will beep.
- Feed filament into top of print head
- Thin string of filament should come out of the nozzle

Note: Only needs to be done when load or change spools.



11 Load STL model and click Print



12 Click OK to send the model to the printer

- Once the job has been sent to the printer, it will beep and then it is safe to remove the USB cable from your computer.
- Ensure the first layer is laid down correctly.

Happy Printing!

